



# APPS R-1K

## TABLET COUNTER

**VERSATILITY, ACCURACY and RELIABILITY**  
are the hallmarks of the R1K Tablet Counter

manufactured by APPS, Inc.

The advanced single lane counting system of the R1K is capable of counting all types of tablets, capsules and gelcaps, regardless of shape or size.

Fast, easy change-over, without the use of tools, is an important feature of the R1K.

The R1K is designed as a multi-function counter. It can be used for performing Count Checks or as a manual bottle or pouch filler. An optional "Mini-Conveyor" can be added for semi-automatic operation. The R1K used with a conventional conveyor becomes a fully automatic filler.

A color Touch Screen Operator Interface allows access to all setup parameters, and provides status messages to the operator.

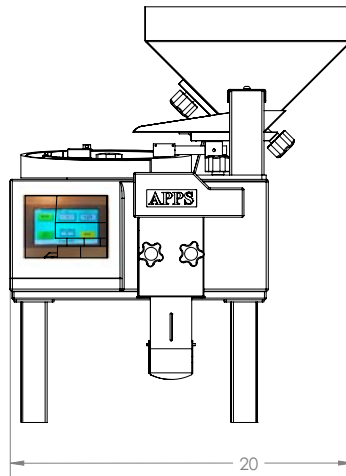
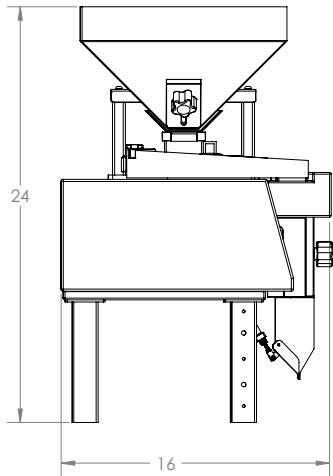
*No matter what your product looks like, you can count on APPS, Inc. for fast, accurate results.*



The R1K shown with Optional  
"Mini- Conveyor"

gel caps or capsules - fast reliable operation  
irregular shapes - large and small tablets  
simple, easy cleanup - compact size, low cost





---

## Additional Features

---

- Check Counter
- Semi Automatic with hand load and unload of bottles
- Fully automatic with Air Cylinder Indexers on a Bottle conveyor
- Leveler legs

---

## Utilities

---

- Voltage: 120 volts, 60 Hz, 15 Amps
- Air: 40 PSI @ 1 CFM

---

## Available Options

---

- Mini-Conveyer
- Bag/Pouch Filling Attachment
- 220 v operation

---

CONTACT US FOR AN HONEST NO-OBLIGATION PERFORMANCE EVALUATION OF YOUR PRODUCT

---



25 North Main Street  
East Templeton, MA 01438  
TEL: (978) 342-0019  
E-MAIL: [tstange@apps-usa.com](mailto:tstange@apps-usa.com)  
WEB: [www.apps-usa.com](http://www.apps-usa.com)